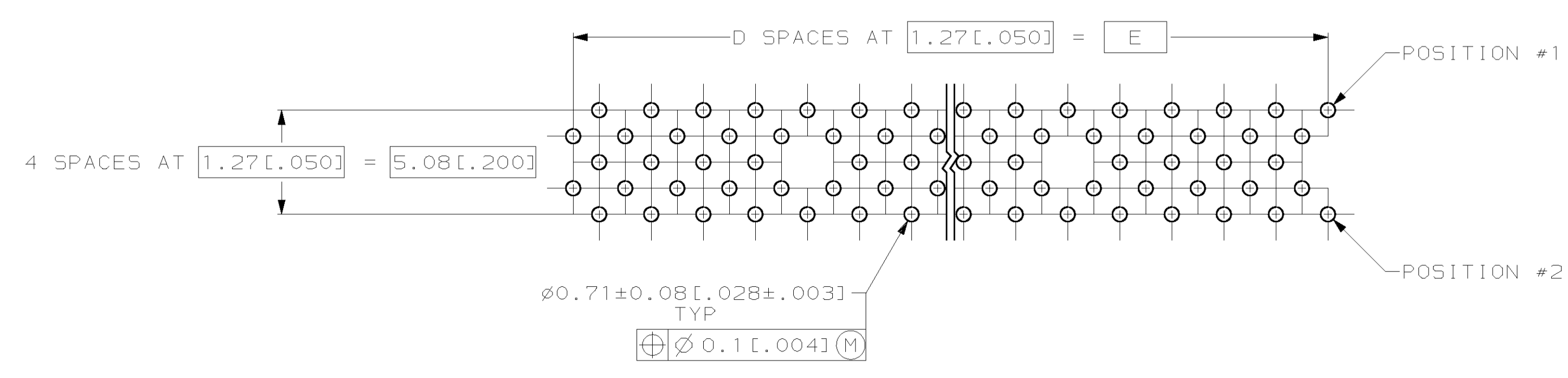
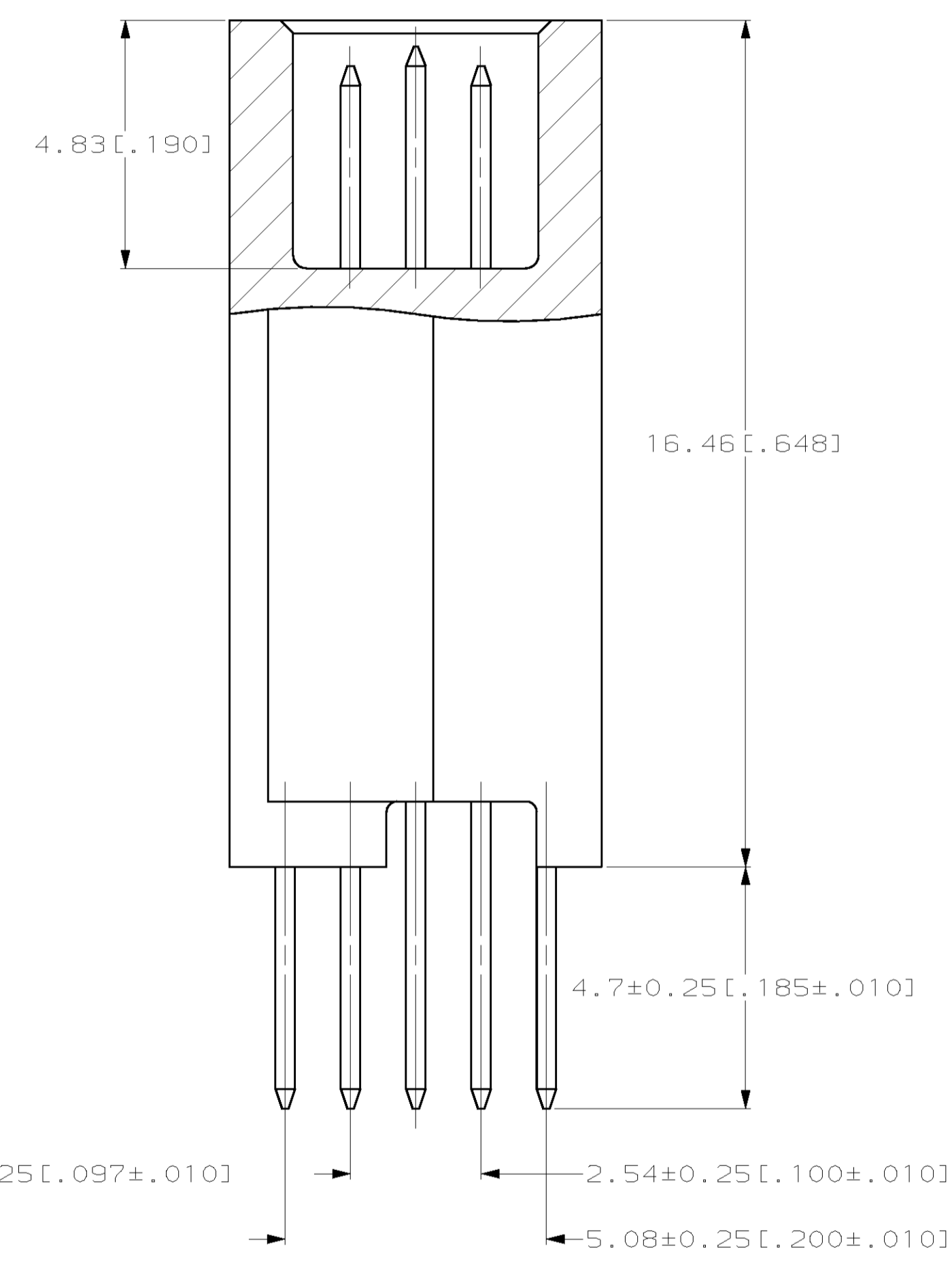
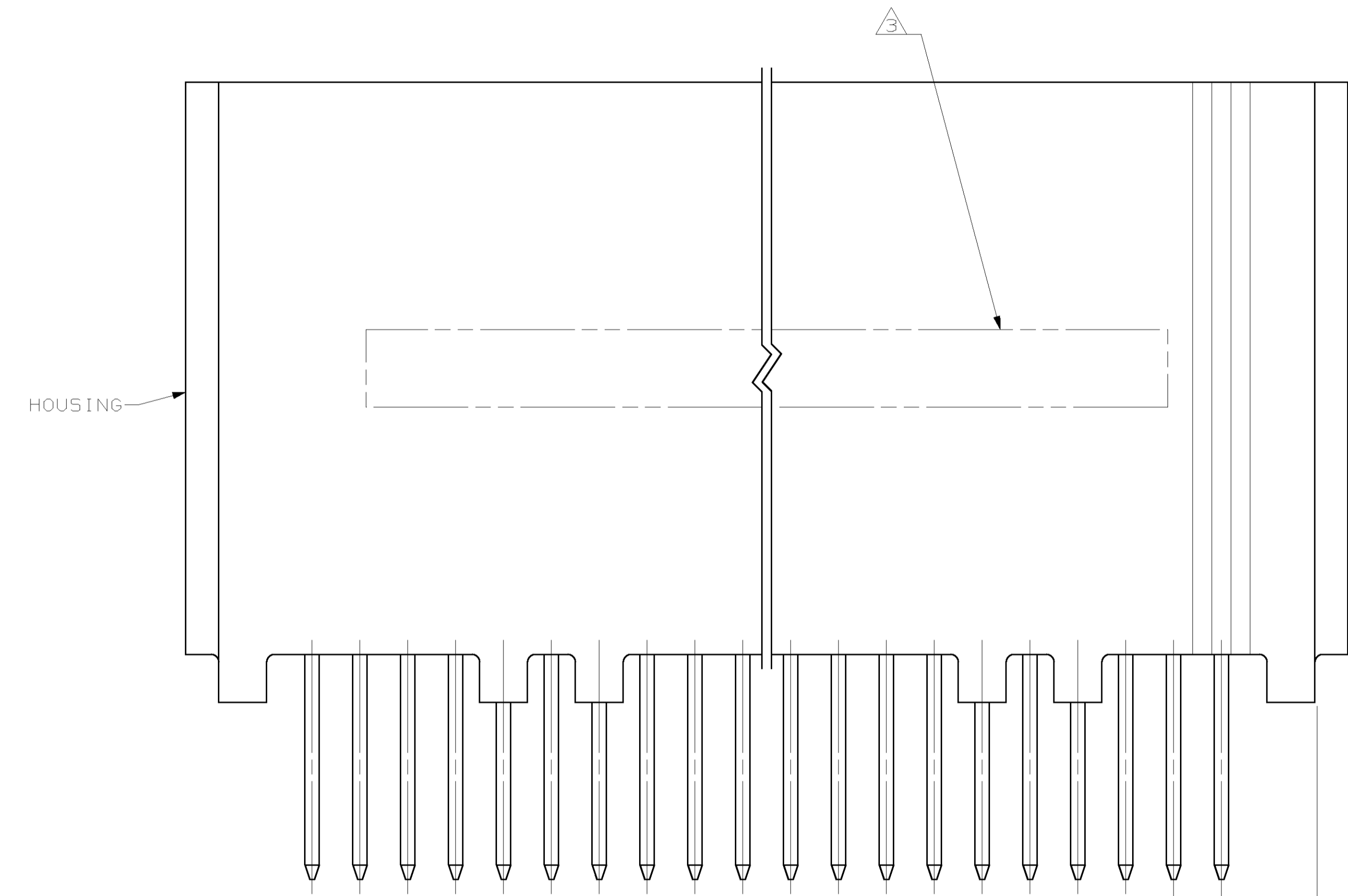


- ① HOUSING: HIGH TEMPERATURE THERMOPLASTIC, COLOR NATURAL.
PIN CONTACTS: PHOSPHOR BRONZE.
GROUND BUSES: PHOSPHOR BRONZE.
- ② PIN CONTACTS: 0.00076[.000030] MIN GOLD IN CONTACT AREA,
0.00254-0.00762[.000100-.000300] TIN-LEAD ON SOLDER TAIL,
ALL OVER 0.00127-0.00254[.000050-.000100] NICKEL ON ENTIRE CONTACT.
GROUND BUSES: 0.00076[.000030] MIN GOLD IN CONTACT AREA,
0.00254-0.00762[.000100-.000300] TIN-LEAD ON SOLDER TAIL,
ALL OVER 0.00127-0.00254[.000050-.000100] NICKEL ON ENTIRE BUS.
- ③ AMP AND DATE CODE MARKED IN AREA INDICATED, ON SAME SIDE AS POSITION NUMBER 2 INDICATOR.
- ④ ONE GROUND BUS WITH 4 TAILS PER EACH 20 PIN CONTACTS.



RECOMMENDED PC BOARD HOLE LAYOUT
(VIEWED FROM CONNECTOR SIDE)

OBSOLETE	125.73 [4.950]	99	128.22 [5.048]	130.81 [5.150]	132.44 [5.214]	200	149012-9
OBSOLETE	113.03 [4.450]	89	115.52 [4.548]	118.11 [4.650]	119.74 [4.714]	180	149012-8
OBSOLETE	100.33 [3.950]	79	102.82 [4.048]	105.41 [4.150]	107.04 [4.214]	160	149012-7
OBSOLETE	87.63 [3.450]	69	90.12 [3.548]	92.71 [3.650]	94.34 [3.714]	140	149012-6
OBSOLETE	74.93 [2.950]	59	77.42 [3.048]	80.01 [3.150]	81.64 [3.214]	120	149012-5
OBSOLETE	62.23 [2.450]	49	64.72 [2.548]	67.31 [2.650]	68.94 [2.714]	100	149012-4
	49.53 [1.950]	39	52.02 [2.048]	54.61 [2.150]	56.24 [2.214]	80	149012-3
	36.83 [1.450]	29	39.32 [1.548]	41.91 [1.650]	43.54 [1.714]	60	149012-2
	24.13 [0.950]	19	26.62 [1.048]	29.21 [1.150]	30.84 [1.214]	40	149012-1
	E	D	C	B	A	NO OF POS	PART NUMBER

DIMENSIONS: mm [INCHES]		TOLERANCES UNLESS OTHERWISE SPECIFIED: 0 PLG ± .01 1 PLG ± .01 2 PLG ± .01 3 PLG ± .01 4 PLG ± .01 5 PLG ± .01 6 PLG ± .01 7 PLG ± .01 8 PLG ± .01 9 PLG ± .01 10 PLG ± .01 11 PLG ± .01 12 PLG ± .01 13 PLG ± .01 14 PLG ± .01 15 PLG ± .01 16 PLG ± .01 17 PLG ± .01 18 PLG ± .01 19 PLG ± .01 20 PLG ± .01 ANGLES ± .01 FINISH ± .01		DWG: J. GERACE 11-29-94 CHK: P. MATAR 11-29-94 DWF: A. MONK 11-29-94 DATE: 11-29-94 PRODUCT SPEC: 108-1272 APPLICATION SPEC: 114-11005 HEIGHT: - CUSTOMER DRAWING		AMP Incorporated Harrisburg, PA 17105-3608 PLUG ASSEMBLY, 18.75 [0.738] STACK, 4.7 [0.185] TAIL, BOARD TO BOARD, MICROSTRIP SIZE: A1 CAGE CODE: 00779 DRAWING NO: C-149012 SCALE: 10:1 SHEET: 1 OF 1 REV: B	
----------------------------	--	--------------------------------------------------------------------------------------------------------------------------------------------------------------------------------------------------------------------------------------------------------------------------------------------------------------------------------------------------------------------------------------------------------------	--	----------------------------------------------------------------------------------------------------------------------------------------------------------------------------------------	--	-------------------------------------------------------------------------------------------------------------------------------------------------------------------------------------------------------------------------------------	--